



A concealed, acoustic automatic door bottom silicon seal for medium temperature smoke and fire door applications.

RP8Si is spring loaded to lift clear off the floor as soon as the door leaf is opened by a few millimetres. Mounted into a 15mm x 34mm groove that has been morticed into the bottom edge of the door, it is operated automatically by pressure against the door jamb on its adjustable strike block.

RP8Si can also be fitted into the bottom hollow rail of an aluminium door by the fabricator.

Location Single and double butt hinged doors.

Min/Max Gap 3mm to 13mm.

Seal Sizes 1220mm, 1070mm, 920mm, 820mm, 600mm, 380mm to 295mm (min). Seals cut back to exact size.

Standard Finish Aluminium Anodised 15 microns. Satin Clear (silver) or Bronze finish.

Seal Material [Silicon](#) Rubber (SE) (grey).

Fixing Method Concealed, with supporting colour matched stainless steel [escutcheon](#) plates. Screws supplied.

Adjustment Has adjustment strike block screw for sealing action adjustment.

Escutcheon Plate Dimensions

Stainless steel rounded: 22mm wide, 57mm high, (φ22 router bit) 1.2mm thick.

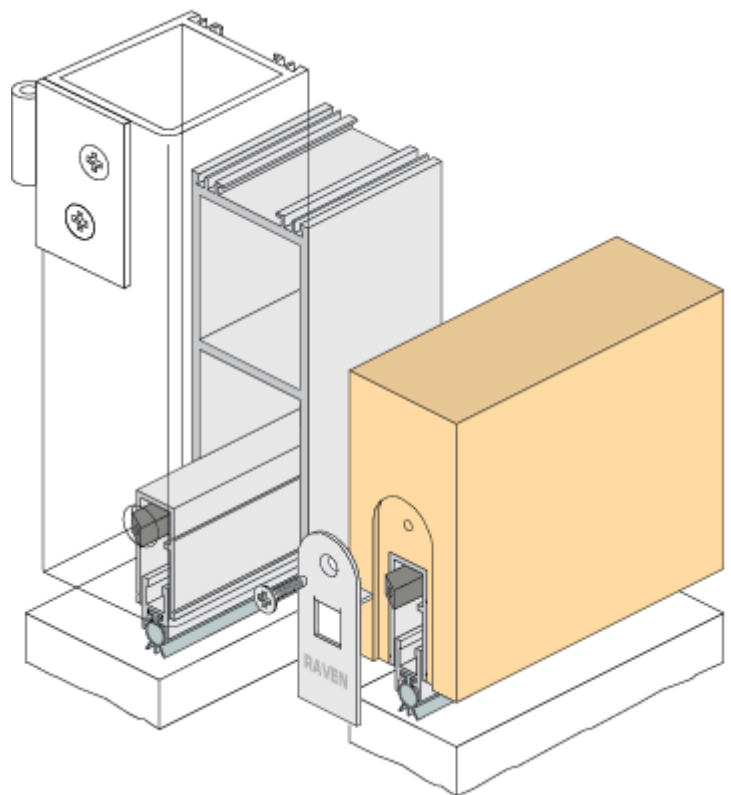
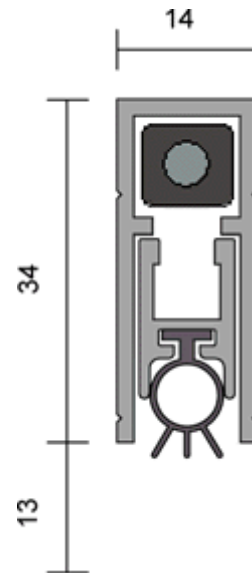
Replacement Seal [RP308Si](#).

Approvals

Acoustic AUS/NZ: Conforms to NCC BCA Spec. F5.5. Approved to AS 1191, AS 1045 & AS/NZS 1276.

UK/EU: Conforms to Approved Document E. Approved to BS EN ISO 140.3 (similar to BS EN ISO 717.1, BS 2750 & BS 5821).

Fire & Smoke AUS/NZ: Meets NCC BCA Spec. C3.4 for fire & smoke doors. Approved to AS 1530.4 & AS/NZS 1905.1. Meets requirements of NZ BC Compliance Doc. C/AS1 6.19.2 & App. C6.1.1.



UK/EU: Conforms to Approved Document B.
Approved to BS 476 Pt. 20 & 22 (similar to BS EN 1634-1).

Approved on fire rated doors up to **FRL & FRR-
/240/60 and FD240** 🔥

Gasket flammability index 1 when tested to AS 1530.2.

Smoke Tested to AS 1530.7, ISO 5925-1 & EN 1634-3 (similar to BS 476 section 31.1). Meets smoke leakage rates specified in AS 6905 & EN 13501-2 "Sa", "Sm".

Durability Tested to over 1,000,000 operating cycles without failure.

Energy Complies with NCC BCA Pt. 3.12.3.3 & J3.4 for Building Sealing & Energy efficiency.

Patented.