

RP78Si

M



An acoustic medium temperature smoke door frame seal designed for installation on door stops. Its aluminium carrier is sturdy and slotted for adjustment with concealed fixings. It is quick and easy to install around the [jamb](#) and head and can be fitted without removing the door. RP78Si can be mitred or butt jointed.

Location Head and jambs on single or double [butt hinged](#) doors.

Min/Max Gap 0mm to 6mm.

Seal Sizes Available in stock lengths or door set sizes.

Standard Finish Aluminium anodised 15 microns. Satin Clear (Silver) or Bronze finish. [P.E. Paint](#) (at extra cost).

Seal Material [Silicon Rubber](#) (SE) (Grey or Light Grey).

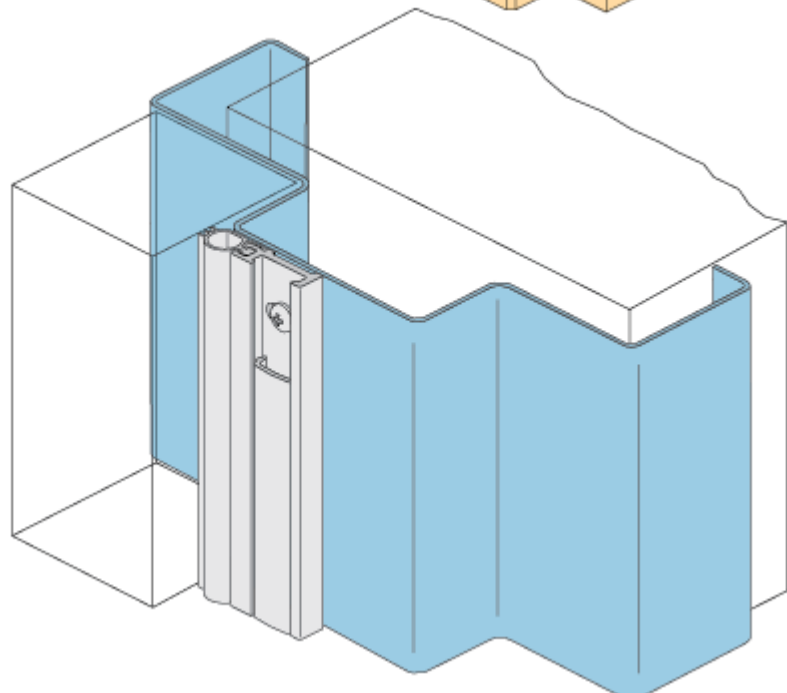
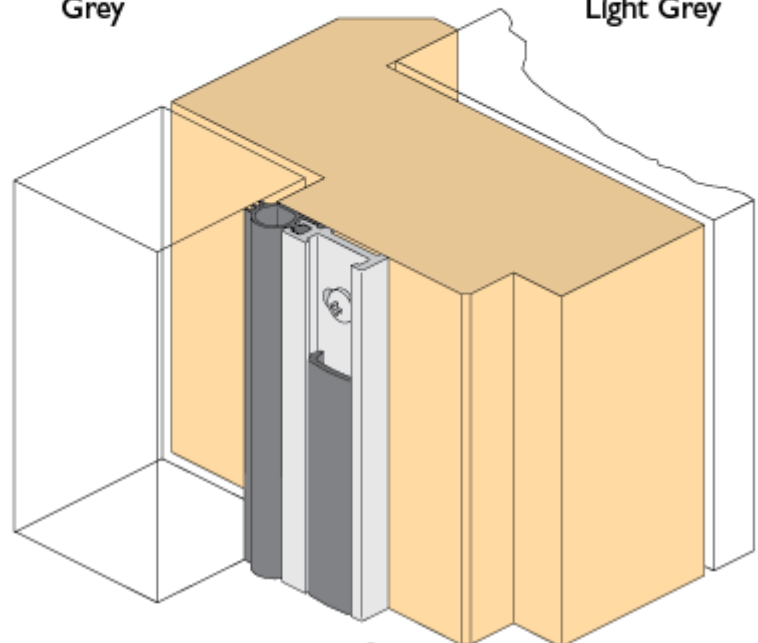
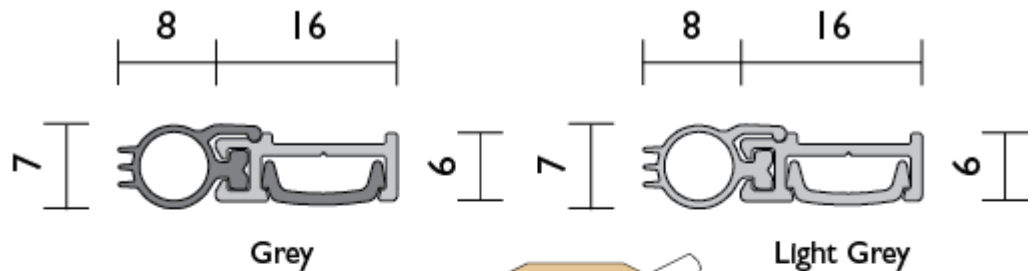
Fixing Method Zinc plated, cross recess head S.T. screws and self-drilling screws of the appropriate size are supplied.

Replacement Seal [RP394Si](#).

Used in Conjunction Raven [RP8Si](#), [RP16Si](#), [RP38Si](#), [RP70Si](#), [RP99Si](#).

Approvals

Acoustic AUS/NZ: Conforms to NCC BCA Spec. F5. 5. Approved to AS 1191, AS 1045 & AS/NZS 1276.
UK/EU: Conforms to



Approved Document E.
Approved to BS EN ISO
140.3 (similar to BS EN ISO
717.1, BS 2750, BS 5821).

Fire & Smoke AUS/NZ:
Meets NCC BCA Spec. C3.4
for fire & smoke doors.

Approved to AS 1530.4 &
AS/NZS 1905.1. Meets
requirements of NZ BC
Compliance Doc. C/AS1
6.19.2 & App. C6.1.1.

UK/EU: Conforms to
Approved Document B.
Approved to BS 476 Pt. 20 &
22 (similar to BS EN 1634-1).
Approved on fire rated doors
up to **FRL & FRR-/240/60**

and FD240🔥

Gasket flammability index 1
when tested to AS 1530.2.

Smoke Tested to AS 1530.7,
ISO 5925-1 & EN 1634-3
(similar to BS 476 section
31.1). Meets smoke leakage
rates specified in AS 6905 &
EN 13501-2 "Sa", "Sm".

Energy Complies with NCC
BCA Pt. 3.12.3.3 & J3.4 for
Building Sealing and Energy
efficiency.