

Length:

Description of contents

- IS1515 seal with self-adhesive backing
- Fitting Instructions

Tools required for installation

- Tape Measure
- Knife / Scissors
- Pencil or Marker

Other Integrity™ Architectural Seals include:

- Door Perimeter Seals
- Door Bottom Seals
- Automatic Door Bottom Seals
- Threshold Plates
- Brush Seals
- Magnetic Seals

Contact your nearest Kilargo office for further details.

Installation detail: Fitting to steel or timber door frames

It is not necessary to remove the door from its hinges.

Note: The IS1515 seal requires a minimum of 2mm–3mm clearance between the door stop/door face and a minimum 3mm clearance between the door edge/door frame.

(For fire door applications, clearances must be in accordance with AS1905.1).

-
- Step 1** Remove the seal from the packaging and measure the existing head (top) and jambs (sides) of the door frame (or perimeter of the window) to determine the seal length required.
-
- Step 2** Clean the frame to ensure it is free from oil, grease or dust, and if painted, well cured.
-
- Step 3** Using scissors/knife, trim the seal to the opening height and width of the door reveal. Cut the top corners using a jointing method as tight as possible to ensure continuity of seal. (i.e. Notch or Mitre).
-
- Step 4** Starting with the long vertical jambs, peel back the self-adhesive backing tape from both legs by approximately 150mm.
-
- Step 5** Push the seal into the top corner of the frame-stop as tightly as possible.
-
- Step 6** Progressively pull the backing tape off the seal while running a finger or appropriate blunt tool down the centre of the profile whilst ensuring that the adhesive sticks evenly to each surface.
-
- Step 7** Once the seals have been fitted to the jambs. Apply the seal to the head of the frame as per Step 6.
-

Important

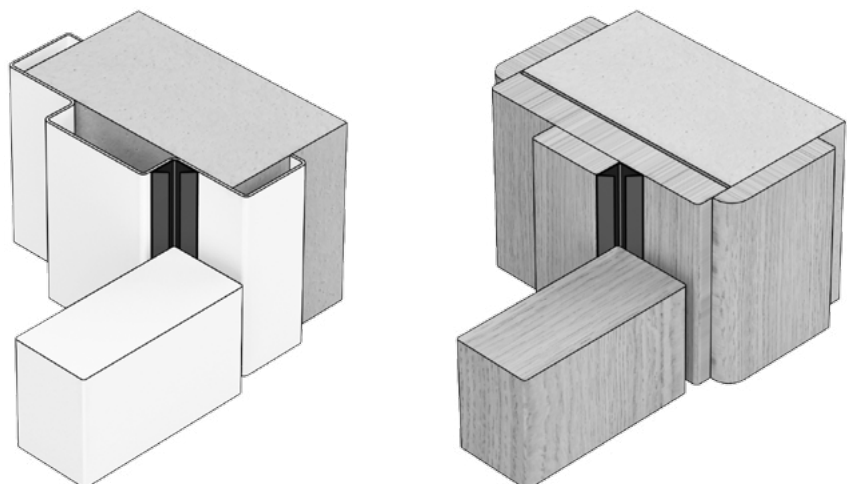
Do not remove, stretch or relocate seal.

Ensure that the installation of this product does not impede the opening or closing of the door. It is recommended to check the adjustment of the door seal periodically to ensure the door assembly to which it is fitted, closes and latches properly. The seal may be cleaned periodically without removing the door leaf from its frame.

Note

It should be noted that in certain applications adhesion may be compromised if frames have been treated with proprietary anti-graffiti paint systems.

Recommendations as to methods for use of materials and construction details are based on the experience and knowledge of Kilargo and are given in good faith as a general guide and service to designers, contractors and manufacturers. Kilargo reserves the right to make alterations or delete any installation detail without prior notice.



Literature Code: IS1515 05/12