

FIREPRO

FIRE PROTECTIVE BUILDING PRODUCTS

FIREPRO CENTABUILD PTY LTD

128 Eldridge Rd Condell Park NSW 2200, AUSTRALIA

Ph: (02)9858 5597 & Ph: (02) 9804 0262 Fax: (02) 9858 5957

sales@firepro.com.au www.firepro.com.au

CI/SfB
B311 DATASHEET –Nov 14

Product specifications can change. Contact us to ensure you have our latest datasheet

FIREPRO B311 (Extra Compact) RETROFIT FIRE COLLARS



DESCRIPTION

Firepro B311 Retrofit Fire Collars prevent the spread of fire where PVC and PE plumbing pipes penetrate concrete fire walls and floors. Also for use on PP-R pipes as per PPR Table, and 15mm or 20mm internal diameter polybutylene pipes.

The B311 collar is suitable for use where the collar is placed outside the wall or below the floor.

B311 collars comply with the requirements of AS 4072.1 2005 Section 4.6.1. For Section 4.6.2 requirements see our B310 FWD datasheet.

INSTALLATION

The collars are designed to be bolted to the underneath of the concrete floor. In wall situations one collar should be used on the outside of each face of the fire rated wall.

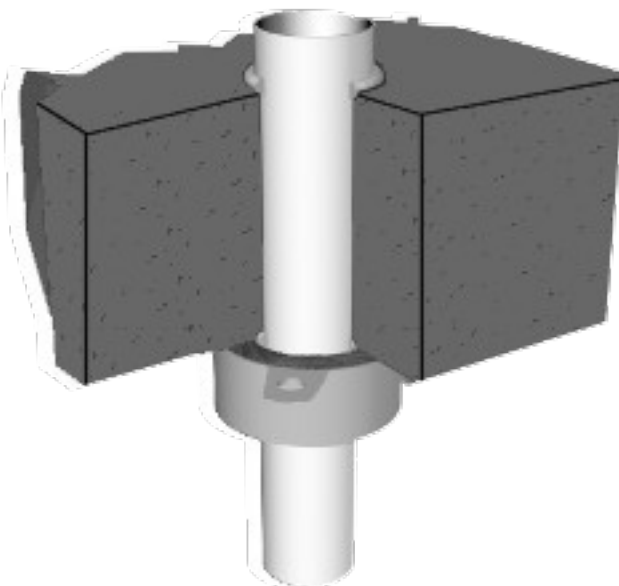
To fit the collar open the collar by twisting the body to unlatch the holding clip. Refasten the holding clip. Using all fixing tabs, fasten with 8mm diameter steel bolts to the fire rated wall or floor.

To ensure an acoustic and smoke seal around the pipe use Firepro M707 acoustic fire rated sealant. See diagram for application position.

The addition of the optional "click on" flange allows for wider spacing of the fixing points.

ACOUSTIC

The use of Firepro M707 Fire & Acoustic Sealant as shown maintains the acoustic performance of the wall or floor as well as providing smoke control. For further acoustic control on pipes choose from Firepro Centabuild's range of noise control insulation.



FIRE TEST DATA

Firepro B311 Fire Collars are tested and approved under AS1530:4, AS4072:1 1992 Section 3, (uPVC pipes 2 metres long uncapped at end outside the furnace to maximise test severity), for up to 4 hours fire resistance in concrete floors and 2 hours FRL in concrete walls.

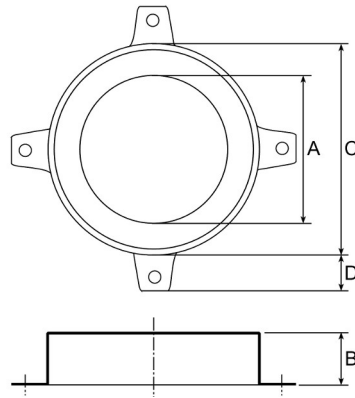
PE (Polyethylene) pipes: Fire laboratory assessed and approved for PE pipes complying with AS4130, for up to 4 hours FRL in floors and 2 hours FRL on walls and BS476.20:22 for 3 hours FRL in concrete floors and 2 hours FRL on walls.

PP-R pipes as set out in Table3 to the above Standards

Polybutylenepipes: Fire Laboratory assessed with either B311-32 or B311-40 collars for 15mm and 20mm ID pipes complying with AS/NZ2642:2.

NOTE: The technical information and suggestions for use and application presented herein represent the best information available to us and are believed to be reliable. If used beyond the situations detailed on this datasheet we advise confirming their suitability before installation. All dimensions are nominal.

We reserve the right to make changes or to withdraw designs and products without notice.



B311 Collar Dimensions

Dimensions in millimetres (nominal):

	A	B	C	D
B311-32	37	33	64	20
B311-40	45	33	82	20
B311-50	59	33	95	20
B311-65	72	33	115	20
B311-80	85	33	123	20
B311-100	110	45	152	20
B311-150	160	62	202	20

For larger size pipes see our B312 range of collars

Flange Dimensions

Dimensions in millimetres (nominal):

PP-R PIPES

For concrete floors fire-tested in the conventional manner to AS1530:4, AS4072:1 1992 section 3, and BS476:20. Under BS476.20:22 convention may also be used on concrete walls where BS476:20 is approved.

PPR - FLOORS - Concrete

FRR/FRL Achieved	Pipe Outside Diameter	PP-R Pipe Wall Thickness	Firepro Fire Collar Identification
4 Hr	16mm	2.2mm	B311-32
4 Hr	20mm	2.8mm	B311-32
4 Hr	25mm	3.5mm	B311-32
4 Hr	32mm	4.4mm	B311-32
4 Hr	40mm	5.5mm	B311-40
4 Hr	50mm	6.9mm	B311-50
4 Hr	63mm	8.6mm	B311-65
30 Mins	75mm	10.3mm	B311-80
30 Mins	90mm	12.3mm	B311-100
30 Mins	110mm	15.1mm	B311-100
30 Mins	125mm	11.4mm	B311-150

Polybutylene Pipes

15mm and 20mm internal diameter polybutylene pipes that comply with AS/NZ2642:2 penetrating concrete floors and walls may be protected with B311-32 or B311-40 collars.

NOTE: The technical information and suggestions for use and application presented herein represent the best information available to us and are believed to be reliable. If used beyond the situations detailed on this datasheet we advise confirming their suitability before installation. All dimensions are nominal.

We reserve the right to make changes or to withdraw designs and products without notice.